

RAKE (SCULPTURED)

EE8000-ZEE RAKE CLOSURE LAP DETAIL

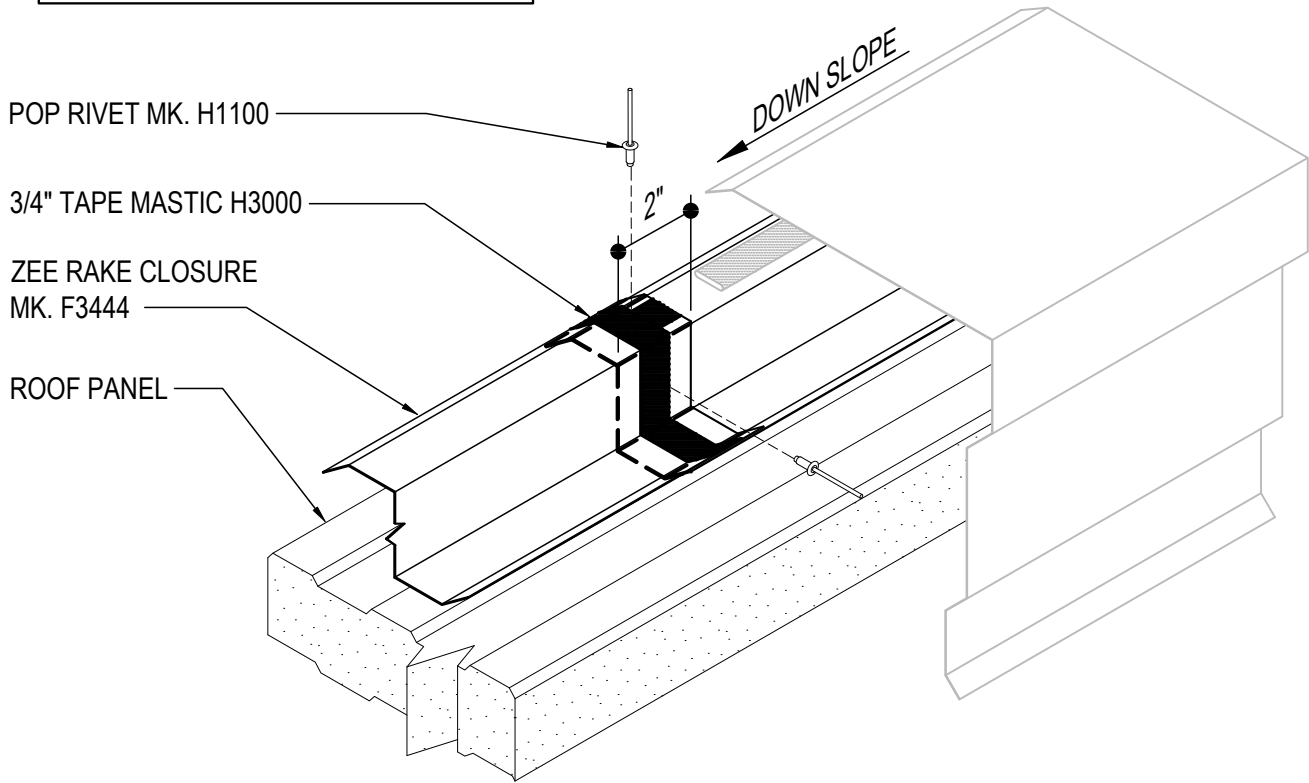
EE8100-RAKE (SCULPTURED)

EE8000 - ZEE RAKE CLOSURE LAP DETAIL

[Download the DWG file by clicking here.](#)

ERECTOR NOTE:

INSTALL ZEE RAKE CLOSURE
STARTING AT THE HIGH EAVE AND LAP
DOWNSLOPE ZEE RAKE CLOSURE
OVER UPSLOPE ZEE RAKE CLOSURE
TO INSURE WATER TIGHTNESS



ZEE RAKE CLOSURE LAP DETAIL

EE8000

Detailer Notes:

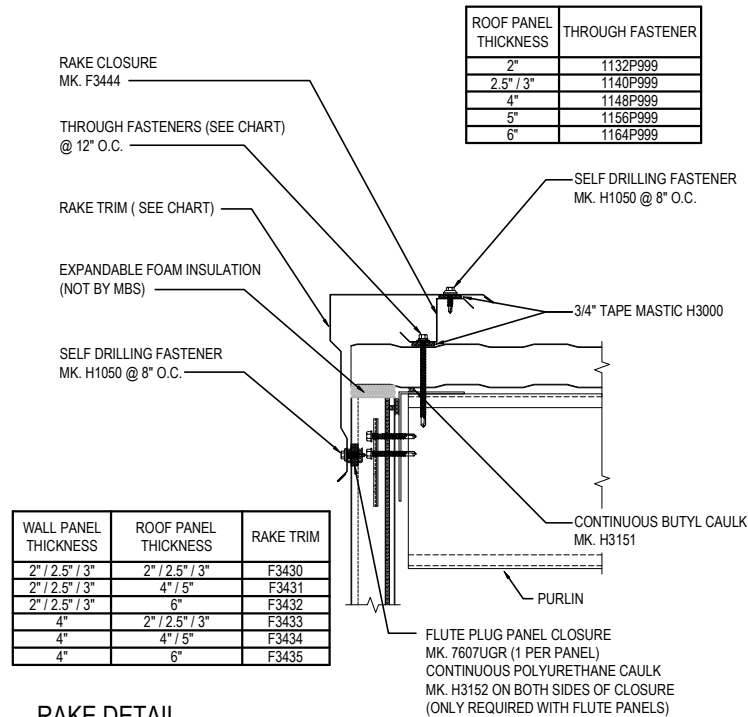
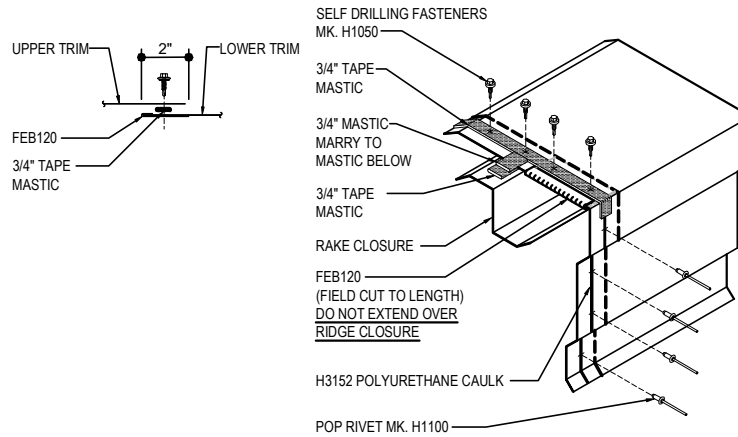
- 1) THIS DETAIL IS REQUIRED ON ALL JOBS WITH SCULPTURED RAKE AND METL-SPAN ROOF.

EE8100 - RAKE (SCULPTURED)

[Download the DWG file by clicking here.](#)

RAKE LAP & FLASHING BACKER

SLIDE FIELD CUT SECTION FLASHING ENDLAP BACKER ONTO THE LOWER TRIM PIECE. PLACE TAPE MASTIC NEXT TO HEM OF THE BACKER (NOT ON TOP OF HEM). APPLY CONTINUOUS BEAD OF CAULK 1" FROM END OF TRIM DOWN PROFILE OF TRIM. FASTEN LAP WITH STITCH FASTENERS AND POP RIVETS AS SHOWN.



RAKE DETAIL

INSULATED METAL PANEL ROOF AT RAKE

EE8100

Detailer Notes:

1) N/A